

FT-277 LED

6-functional universal LED lamp
 European homologation E9
 ElectroMagnetic Compatibility (ECE R10) homologation
 Shock-resistance – PC lampshade
 Reverse polarity protection system

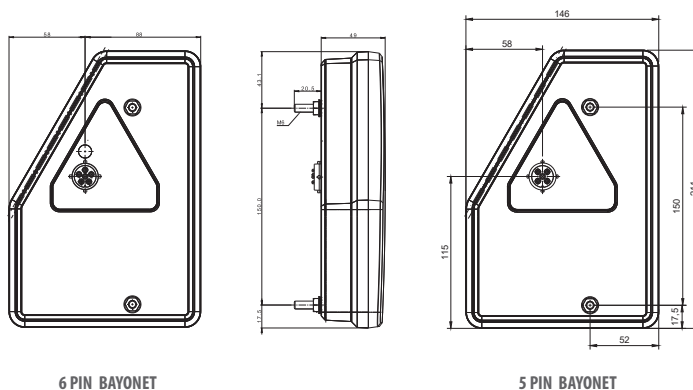
lamps FUNCTIONS:

- rear running light
- STOP light
- indicator
- reversing light
- fog light
- reflector



LAMP PARAMETERS

Lamp functions	FT-277 LED - Current consumption (peak value)		FT-277 LED - Rated power		FT-277 LED O (system Canbus) - Current consumption (peak value)	FT-277 LED O (system Canbus) - Rated power
	12V	24V	12V	24V	12V	12V
rear running light	0.05A	0.05W	0.5W	1.2W	0.4A	5W
STOP light	0.2A	0.2W	2.3W	3.3W	0.4A	5W
indicator	0.3A	0.2W	3.6W	4.2W	1.25A	15W
reversing light	0.13A	0.1W	1.6W	3W	0.35A	4W
fog light	0.25A	0.2A	2.7W	4.2W	0.4A	5W



FT-277 L LED	Universal LED rear lamp left 12-30V with reflector triangle, 6-functional STOP / POSITION / INDICATOR / FOG / REVERSING, without number plate light., 1 m wire loom.
FT-277 P LED	Universal LED rear lamp right 12-30V with reflector triangle, 6-functional STOP / POSITION / INDICATOR / FOG / REVERSING, without number plate light., 1 m wire loom.
FT-277 L LED BAJONET 6PIN	Universal LED rear lamp left 12-30V with reflector triangle, 6-functional STOP / POSITION / INDICATOR / FOG / REVERSING, without number plate light., 6 PIN BAYONET connector.
FT-277 P LED BAJONET 6PIN	Universal LED rear lamp right 12-30V with reflector triangle, 6-functional STOP / POSITION / INDICATOR / FOG / REVERSING, without number plate light., 6 PIN BAYONET connector.
FT-277 L LED SPKPM BAJONET 5PIN	Universal LED left rear lamp 12-30V with reflective triangle, 5-functional, STOP/ POSITION/ INDICATOR/ FOG without number plate light, 5PIN Bayonet connector.
FT-277 P LED SPKCOF BAJONET 5PIN	Universal LED right rear lamp 12-30V with reflective triangle, 5-functional, STOP/ POSITION/ INDICATOR/REVERSING without number plate light, 5PIN Bayonet connector.
FT-277 L LED O SPKPM BAJONET 5PIN	Universal LED left rear lamp 12V with reflective triangle, 5-functional, STOP/ POSITION/ INDICATOR/ FOG without number plate light, 5PIN Bayonet connector with LED system control.
FT-277 P LED O SPKCOF BAJONET 5PIN	Universal LED right rear lamp 12 V with reflective triangle, 5-functional, STOP/ POSITION/ INDICATOR/REVERSING without number plate light, 5PIN Bayonet connector with LED system control.